

AC Directional Patch Uplink Antenna

The AC antennas are intended for general wide coverage quasi-directional applications. Used either across an arena or golf course, or in an uplook/downlook environment, these proven designs provide high performance with rugged simplicity.

It is a circular polarized antenna especially useful for multipath environments.

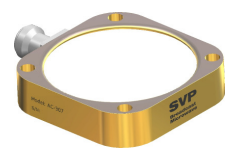
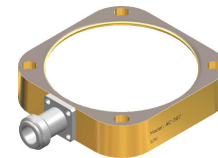
It is usually used for the transmission and reception of links from the ground to the helicopter or aircraft, being the ground transmitter a mobile transmitter.



AC - 107



AC - 207

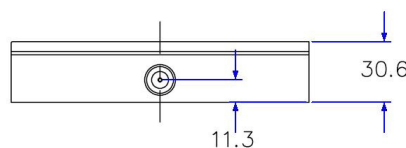
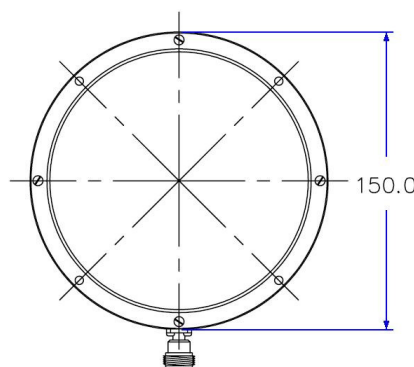


AC - 307, AC - 407 & AC-507

Characteristics

AC - 107

- Frequency band**
1.35 to 1.55 GHz
- Gain**
7 dBiC nominal
- Radiation pattern**
80° x 80° (Upwards)
- Polarization**
R.H. Circular
- VSWR**
<1.5
- Connector**
N female
- Input impedance**
50 Ohm
- Size**
Ø 150 x 30.6 mm
- Temperature range**
-20 to +50 °C
- Order Information:**
AC-107



AC - 107 Dimensions

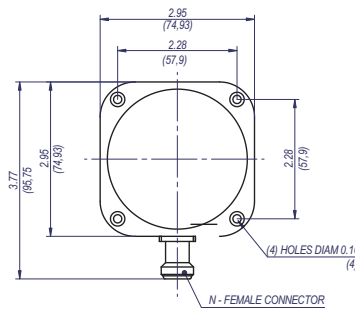
AC - 207

- Frequency band**
2.05 to 2.40 GHz
- Gain**
7 dBiC Nominal
- Radiation pattern**
80° x 80° (Upwards)
- Polarization**
R.H. Circular
- VSWR**
<1.5
- Connector**
N female
- Input impedance**
50 Ohm
- Size**
Ø 85 x 20 mm
- Temperature range**
-20 to +50 °C
- Order Information:**
AC-207

AC Directional Patch Uplook Antenna

AC - 307

- Frequency band**
3.30 to 3.75 GHz
- Gain**
7 dBiC nominal
- Radiation pattern**
80° x 80° (Upwards)
- Polarization**
R.H. Circular
- VSWR**
<1.5
- Connector**
N female
- Input impedance**
50 Ohm
- Size**
95.75 x 17.5 x 74.93 mm (LxHxW)
- Temperature range**
-20 to +50 °C
- Order Information:**
AC-307



AC - 307, AC - 407 & AC-507
Dimensions

AC - 507

- Frequency band**
5.00 to 5.50 GHz
- Gain**
7 dBiC nominal
- Radiation pattern**
80° x 80° (Upwards)
- Polarization**
R.H. Circular
- VSWR**
<1.5
- Connector**
N female
- Input impedance**
50 Ohm
- Size**
95.75 x 17.5 x 74.93 mm (LxHxW)
- Temperature range**
-20 to +50°C
- Order Information:**
AC-507

- Frequency band**
4.40 to 5.10 GHz
- Gain**
7dBiC nominal
- Radiation pattern**
80° x 80° (Upwards)
- Polarization**
R.H. Circular
- VSWR**
<1.5
- Connector**
N female
- Input impedance**
50 Ohm
- Size**
95.75 x 17.5 x 74.93 mm (LxHxW)
- Temperature range**
-20 to +50 °C
- Order Information:**
AC-407