

## COFDM Power Amplifier

The PA power amplifier expands the possibilities of COFDM digital links on the market, since it can work with most transmitter types. Low intermodulation and high reliability make this amplifier especially interesting for broadcast and airborne applications.

This Power Amplifier brings a new level of performance and reliability in high-power microwave transmissions. Packaged in a rugged aluminum housing. It is specifically designed to operate where a power amplifier resistant to severe environmental conditions is needed.

### FEATURES

- LDMOS FET technology
- Isolator for protection against high VSWR
- ALC (automatic level control)
- Remote serial interface
- Digital broadcast systems (DVB-T2, DVB-T and ISDB-T)

### REMOTE CONTROL

- Direct Power measurement (Digital)
- Reverse Power measurement (Digital)
- Alarm
- Standby /ON Mode
- Remote control compatible with HDT-02 transmitter



Front view



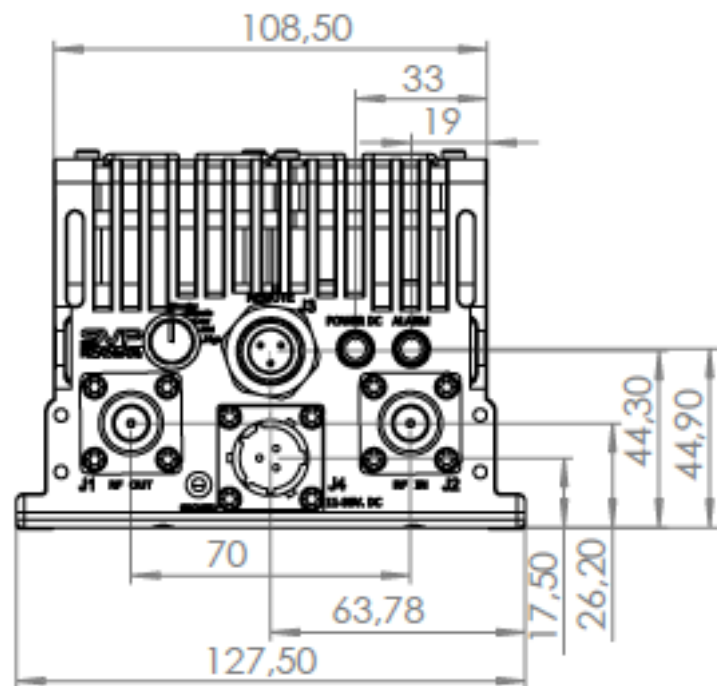
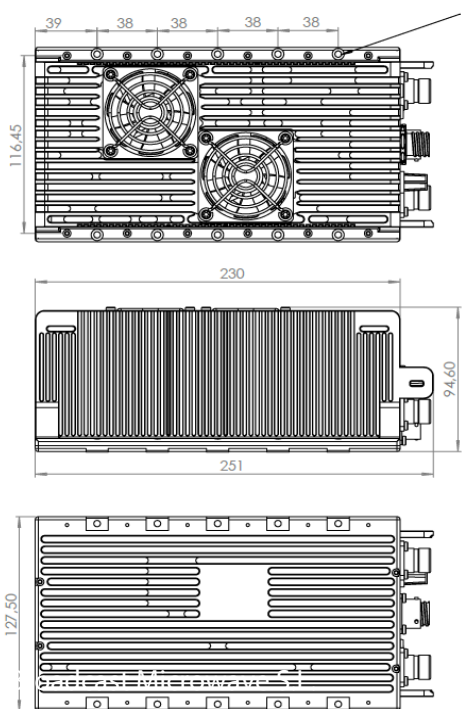
Side view

## Characteristics

Frequency range:	1.3 to 1.55 GHz for 10W 1.7 to 2.2 GHz for 10W
& Output power:	4.4 to 5 GHz for 10W 5.0 to 5.3 GHz for 10W 6.4 to 7.0 GHz for 5W 6.8 to 7.3 GHz for 1.5W
Control Mode:	Manual: 3 output power levels Remote: By HDT Transmitter
Input level:	+13 dBm to +20 dBm with ALC
Connectors:	Power supply: MS3112E12-3P Remote: D38999/24 2 x N-female (50 ohms)
Supply voltage:	9 - 36 V DC
Protection capabilities:	Reverse voltage Reverse RF Fan failure Overheat
Case:	Milled aluminium
Power consumption:	Depends on Output Power
Operating temperature range:	-20 to 50 °C
Mechanical dimensions:	251 x 127.5 x 94.5 mm
Weight:	Approx. 2.5 kg

### HOW TO ORDER:

P/N	Frequency Range	Max. Output Power
PA-10-1315	1,300 - 1,550 MHz	10 Watt.
PA-10-1722	1,700 - 2,200 MHz	10 Watt.
PA-10-4450	4,500 - 5,000 MHz	10 Watt.
PA-10-5053	5,000 - 5,300 MHz	10 Watt.
PA-5-6470	6,400 - 7,000 MHz	5 Watt.



Design and specifications are subject to changes without prior notice. 01/21