

AC Up-Down Patch Antenna

The AC- is an up-down circular polarization patch antenna. It is commonly used in up and downlinks to/from aircrafts.

The AC antenna is small size and has a reduced weight with minimal wind resistance which make this antenna perfect for aircraft installation.

Circular polarization antennas are especially interesting for multipath environments and in motion links.

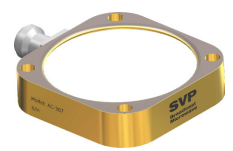
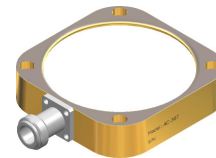
The AC antenna is very sturdy and can work in extreme weather conditions. It is made of aluminium.



AC - 107



AC - 207

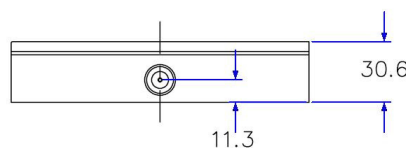
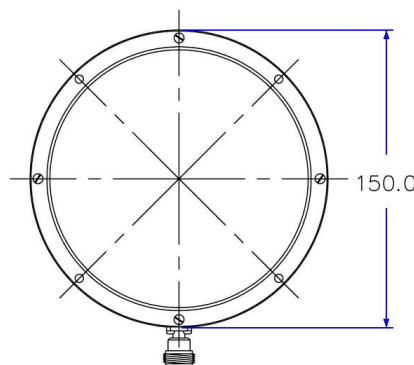


AC - 307, AC - 407 & AC-507

Characteristics

AC - 107

- Frequency band**
1.35 to 1.55 GHz
- Gain**
7 dBiC nominal
- Radiation pattern**
80° x 80° (Upwards)
- Polarization**
R.H. Circular
- VSWR**
<1.5
- Connector**
N female
- Input impedance**
50 Ohm
- Size**
Ø 150 x 30.6 mm
- Temperature range**
-20 to +50 °C
- Order Information:**
AC-107



AC - 107 Dimensions

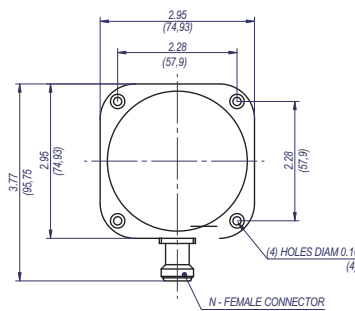
AC - 207

- Frequency band**
2.05 to 2.40 GHz
- Gain**
7 dBiC Nominal
- Radiation pattern**
80° x 80° (Upwards)
- Polarization**
R.H. Circular
- VSWR**
<1.5
- Connector**
N female
- Input impedance**
50 Ohm
- Size**
Ø 85 x 20 mm
- Temperature range**
-20 to +50 °C
- Order Information:**
AC-207

AC Up-Down Patch Antenna

AC - 307

- Frequency band
3.30 to 3.75 GHz
- Gain
7 dBiC nominal
- Radiation pattern
80° x 80° (Upwards)
- Polarization
R.H. Circular
- VSWR
<1.5
- Connector
N female
- Input impedance
50 Ohm
- Size
95.75 x 17.5 x 74.93 mm (LxHxW)
- Temperature range
-20 to +50 °C
- Order Information:
AC-307



AC - 307, AC - 407 & AC-507
Dimensions

AC - 507

- Frequency band
5.00 to 5.50 GHz
- Gain
7 dBiC nominal
- Radiation pattern
80° x 80° (Upwards)
- Polarization
R.H. Circular
- VSWR
<1.5
- Connector
N female
- Input impedance
50 Ohm
- Size
95.75 x 17.5 x 74.93 mm (LxHxW)
- Temperature range
-20 to +50°C
- Order Information:
AC-507

AC - 407

- Frequency band
4.40 to 5.10 GHz
- Gain
7dBiC nominal
- Radiation pattern
80° x 80° (Upwards)
- Polarization
R.H. Circular
- VSWR
<1.5
- Connector
N female
- Input impedance
50 Ohm
- Size
95.75 x 17.5 x 74.93 mm (LxHxW)
- Temperature range
-20 to +50 °C
- Order Information:
AC-407

Design and specifications are subject to changes without prior notice. 01/20