

4 HD Videos & 4K HEVC Codec

The LAU-KM is the new HEVC codec developed by SVP Broadcast Microwave specially designed for transmission of 4 Full HD videos generated by the airborne cameras or one single 4K video.

HEVC offers many advantages over AVC; higher compression rates which results in significant bitrate savings over traditional AVC solutions. This additional efficiency of HEVC encoder makes wireless transmission of 4K possible at lower bitrates.

This ruggedized codec has been designed for live applications such as transmissions from helicopter to ground, helicopter to boat and boat to boat applications.

Latency is critical in many broadcast applications and Lau-K codec has been designed to minimize latency without compromising quality, making this codec suitable for all live events.

The LAU-KM compresses a single 4K UHD input or up to 4 HD of 1080p60 inputs in one unit. Each input can support 2 stereo pairs of embedded audio.

It can be configured as encoder or decoder manually by the end user.



FEATURES

- High quality HEVC codec
- Low latency (2 frames)
- 4K UHD
- Supports 4 simultaneous HD 1080p/60
- Ruggedized design
- DO-160 pending

APPLICATIONS

- High performance Encoder and Decoder
- Airborne and Naval Data Link



Characteristics

Video Encoder/Decoder

Modes:	HEVC, AVC and MPEG-2
Number of Videos:	UHD = 1 (4K), HD = 4 (1080p/60)
Profiles:	4K UHD (3840 x 2160 pixels) 4:2:2/4:2:0, 8/10-bit 2160p - 23.98/24/25/29.97/30/50/59.94/60
	HD 4:2:2/4:2:0, 8/10-bit 720p - 50/59.94/60 1080i - 50/59.94/60 1080p - 23.98/24/25/29.97/30/50/59.94/60
	SD 4:2:2/4:2:0 480i - 29.97 576i - 25

End to End Latency

Encoder + Decoder:	UHD 60p = 66ms UHD 50p = 75ms HD 60p = 55ms HD 50p = 70ms HD 60i = 83ms HD 50i = 98ms
--------------------	--

Audio

Format:	MPEG-1 Layer 2, AAC-LC, HE-AAC
Quantity:	8 pairs embedded

Analogue Audio

Max Level:	24 dBu (balanced) 2 analogue pairs
------------	---------------------------------------

Connectors

HDSDI 3G 1-4:	Mini BNC
ASI In:	Mini BNC
ASI Out:	Mini BNC
Genlock:	Mini BNC
GPS:	SMA Female
Audio/Ethernet/Power:	JD38999/24WD35PN
Ethernet:	RJ-45

Stream Inputs

DVB_ASI:	Transport stream to 90Mb/s
IP Interface:	Primary: Gigabit Ethernet Secondary 10/100 base-T

Genlock In

Format:	Tri Level Composite
---------	---------------------

Control

Remote:	Web server
---------	------------

Mechanical dimensions

Size (WxDxH):	118 x 137 x 79.58 mm
Weight:	1200 g

Power

Voltage In:	9 - 36V (Reverse polarity protected)
Consumed Power:	20 W

How to Order

LAU-KM-**E**

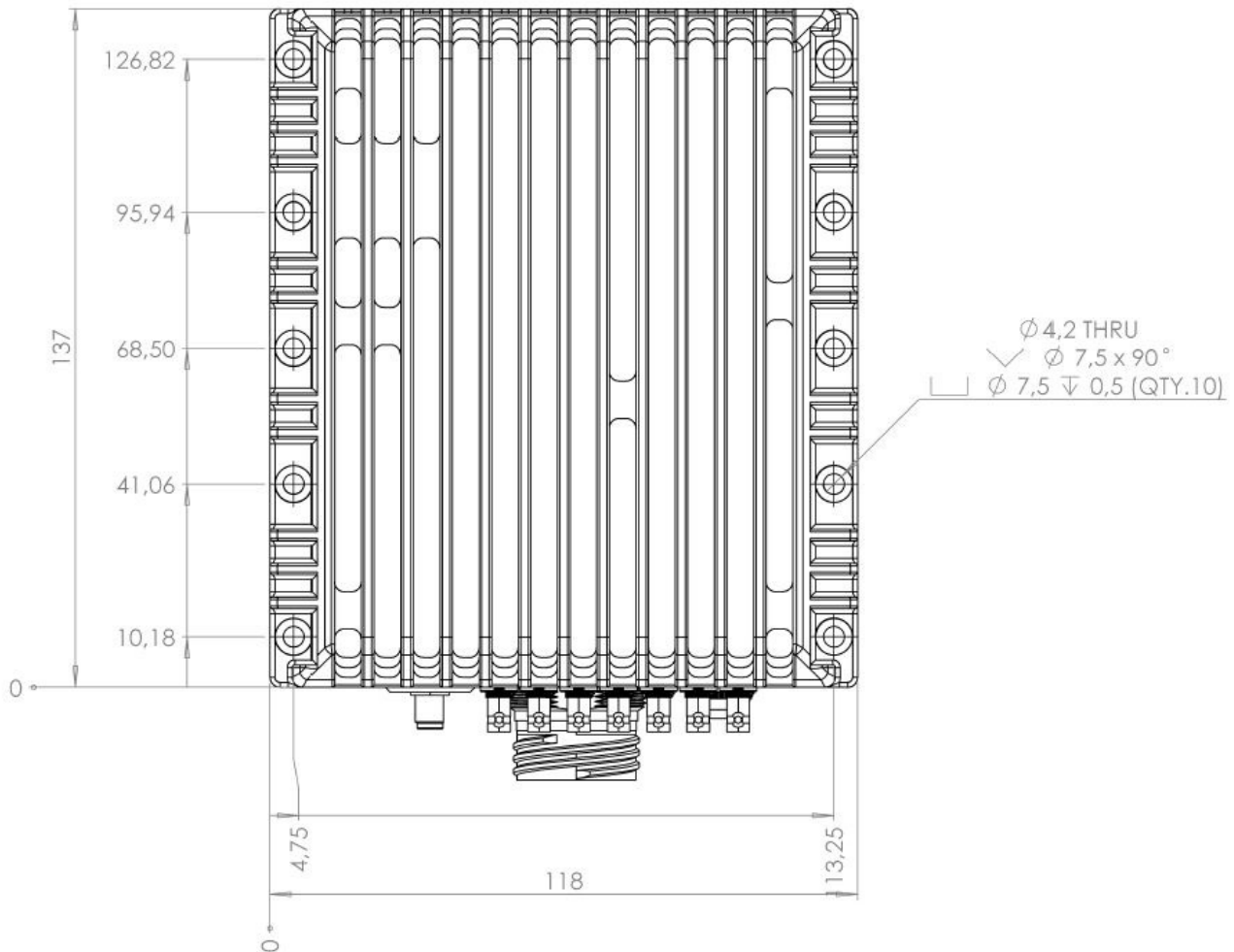
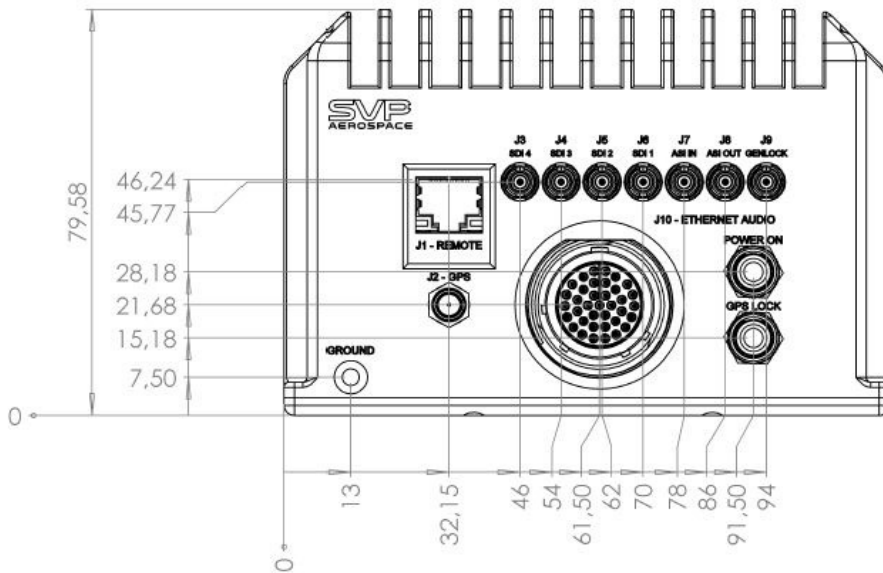


E = Encoder & Decoder
D = Only Decoder

Coding mode



Mechanical dimensions



Design and specifications are subject to changes without prior notice. 05/20