

Compact Sector Antenna

SVP Broadcast Microwaves' Compact Sector antennas comprise 4 tier array of dipole/corner reflector radiating elements housed in a rugged fiberglass tube. This configuration gives a wide 110 degrees azimuth beamwidth and exceptionally constant performance over a wide operating bandwidth in a very compact cross section.

These antennas are suitable for sector coverage applications, for example the receive end of a mobile transmission. Their wide azimuth beam makes them a good choice for diversity systems.

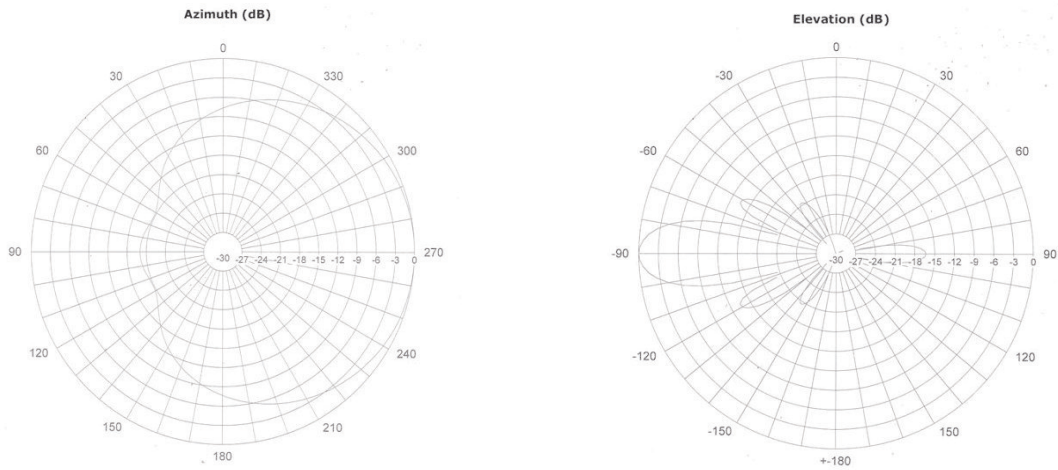


Characteristics

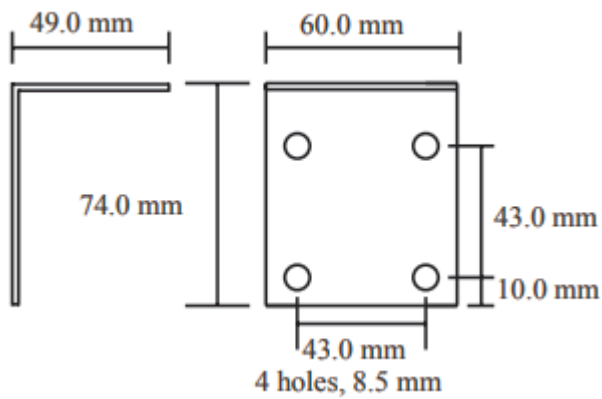
	AS - 112-1114	AS - 412-4450	AS - 612-5771	AS - 712-6872
Frequency	1.15 - 1.40 GHz	4.4 - 5.0 GHz	5.7 - 7.1 GHz	6.8 - 7.2 GHz
Gain	12 dBi	12 dBi	12 dBi	12 dBi
Elevation B/W	18 degrees (+/-9)	18 degrees (+/-9)	18 degrees (+/-9)	18 degrees (+/-9)
Azimuth B/W	110 degrees	110 degrees	110 degrees	110 degrees
Polarization	Vertical	Vertical	Vertical	Vertical
Return Loss	14 dB typical (1.5 to 1 VSWR)	14 dB typical (1.5 to 1 VSWR)	14 dB typical (1.5 to 1 VSWR)	14 dB typical (1.5 to 1 VSWR)
Diameter	67 mm (2.6")	27 mm (1.1")	27 mm (1.1")	27 mm (1.1")
Length	850 mm (33.5")	270 mm (10.6")	254 mm (10.0")	254 mm (10.0")
Color	White or RAL1002 (to specify)	White or RAL1002 (to specify)	White or RAL 1002 (to specify)	White or RAL 1002 (to specify)
Connector	N Female	N Female	N Female	N Female
Mount	Stainless steel bracket and U bolts (supplied)	Stainless steel bracket and U bolts (supplied)	Stainless steel bracket and U bolts (supplied)	Stainless steel bracket and U bolts (supplied)

* For other frequency bands please contact with SVP: info@svpbm.com

Radiation Pattern



Standard bracket



U bolts fit pole diameters up to 35 mm (1.38")

Design and specifications are subject to changes without prior notice. 10/09