

## Down-Converter

The DC-COFDM, down-converter is suitable for COFDM digital links. It downconverts RF band signals to UHF band.

This down-converter has been designed to work in environments with high radio frequency levels. A band filter prevents the equipment from receiving and being saturated by strong nearby signals from other services. This input filter covers the input frequency range.

PHEMT technology and hybrid 3dB couplers are used to ensure excellent linearity. The third order intermodulation products (IP3) are very high, which means that there is no problem with working with strong COFDM signals modulated in 64QAM. Moreover, the down-converter has an excellent noise figure.

The local oscillator has an extremely low phase noise and a very high frequency stability. Excellent results in MER are obtained in the receiver. This is very important when working without line of sight or 64QAM modulation.

This equipment is powered by the receiver. It can also be powered using a bias-tee.

It is water proof and it can work permanently under extreme weather conditions.



## Characteristics

### Frequency bands

1,300 to 1,500 MHz  
2,000 to 2,480 MHz  
2,000 to 2,107 MHz  
2,210 to 2,386 MHz  
2,225 to 2,330 MHz  
2,500 to 2,650 MHz  
3,300 to 3,800 MHz  
4,500 to 4,980 MHz  
4,900 to 5,380 MHz  
5,300 to 5,780 MHz  
6,200 to 6,680 MHz  
6,600 to 7,080 MHz  
6,700 to 7,180 MHz  
10,000 to 10,480 MHz

### Noise Figure

< 1.5 dB

### Conversion Gain

> 25 dB

### Input filter

6 poles

### Static protection

Yes

### Local oscillator frequency

Depends on the frequency  
2 GHz band 1600 MHz or 1840MHz  
3.30-3.80 GHz 2900 MHz  
4.50-4.98 GHz 4100 MHz  
4.90-5.38 GHz 4500 MHz  
5.30-5.78 GHz 4900 MHz

\*For other ranges contact us

### Phase noise

Typ. -98 dBc/Hz

### RF Connector

N Female

### IF Connector

TNC female (50 ohm), N female (50 ohm) or BNC female (75 ohm)

### Power supply

9 to 24 VDC

### Consumption@12V

350 mA

### Temperature range

-40 to +60 °C

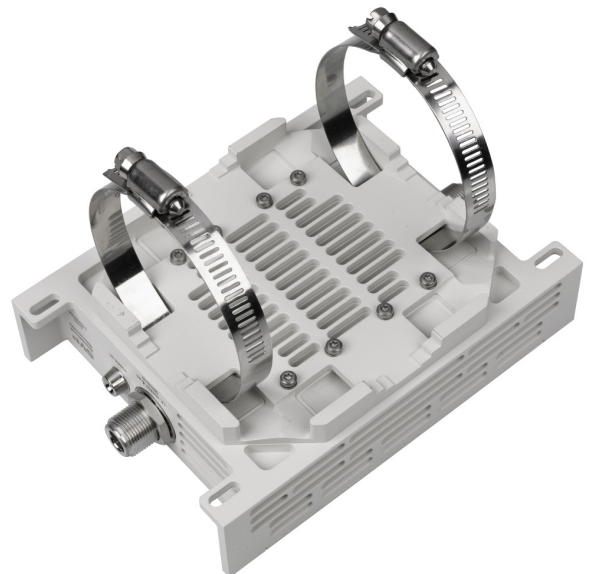
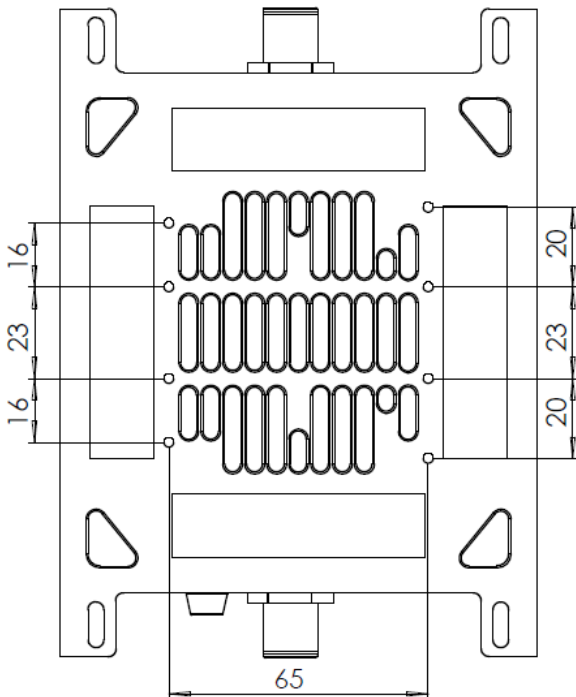
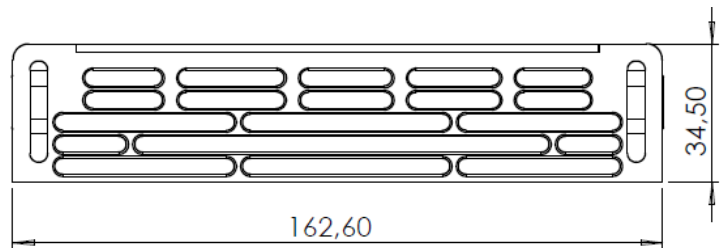
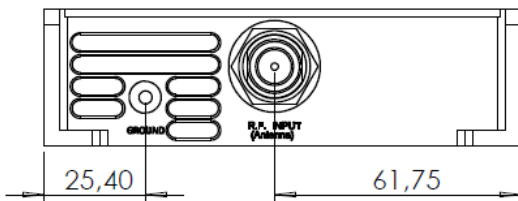
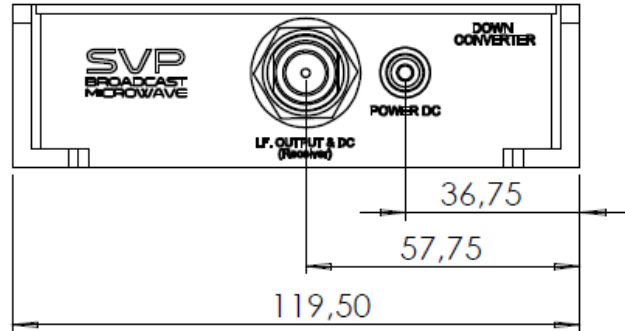
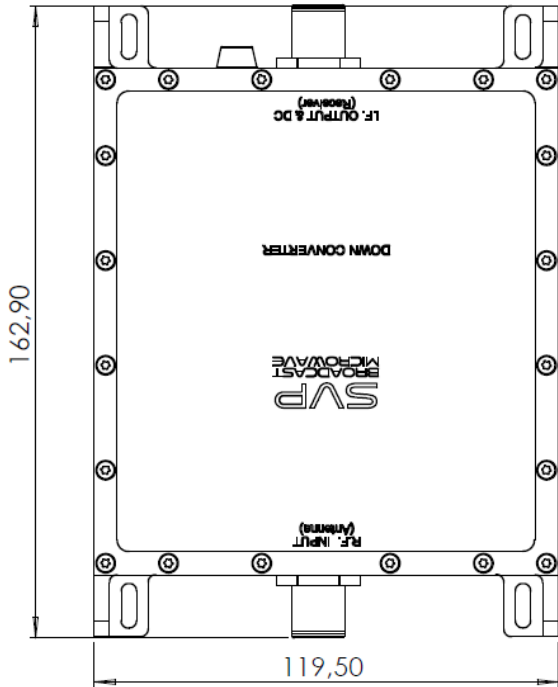
### Size

119.5 x 162.9 x 34.5 mm (WxHxD) (w/o brackets)

### Weight

0.855 kg

## Mechanical Dimensions



## How to Order

DC\_ **2210-2386** **T**

**1300-1500** = 1300 - 1500 MHz  
**2000-2480** = 2000 - 2480 MHz  
**2000-2107** = 2000 - 2107 MHz  
**2210-2386** = 2210 - 2386 MHz  
**2225-2330** = 2225 - 2330 MHz  
**2500-2650** = 2500 - 2650 MHz  
**3300-3800** = 3300 - 3800 MHz  
**4500-4980** = 4500 - 4980 MHz  
**4900-5380** = 4900 - 5380 MHz  
**5300-5780** = 5300 - 5780 MHz  
**6200-6680** = 6200 - 6680 MHz  
**6600-7080** = 6600 - 7080 MHz  
**6700-7180** = 6700 - 7180 MHz  
**10000-10480** = 10000 - 10480 MHz

**T** = TNC 50 Ohm  
**N** = N 50 Ohm  
**B** = BNC 75 Ohm

**IF Output Connector**