

## Duplexor with Double Head Bracket

SVP Broadcast Microwave has recently designed the Duplexor with double head bracket. This bracket allows an easy and quick installation of two equipment. Both equipment are installed near the antenna using just one tripod.

With this duplexor it is possible to connect either two transmitters, two receivers or one receiver and one transmitter. The device is available for the frequency range which is needed.

The equipment can be up-converters or down-converters. This configuration makes possible for both equipment to share same tripod and same antenna.

The bracket has two clasps, one for each equipment to prevent unwanted manipulation.



## Characteristics

### Frequency bands

2 GHz Band: 2.00 – 2.10 GHz / 2.21 – 2.38 GHz  
6 GHz Band: 6.30 - 6.50 GHz / 6.60 GHz - 6.80 GHz  
7 GHz Band: 6.80 - 6.95 GHz / 7.15 - 7.30 GHz  
10 GHz Band: 10.20 – 10.35 GHz / 10.50 – 10.65 GHz  
Other frequencies available on request

### Insertion loss

1 dB typ (1.5 dB max)

### Material

Aluminum, powder coated

### Weight

4.5 kg

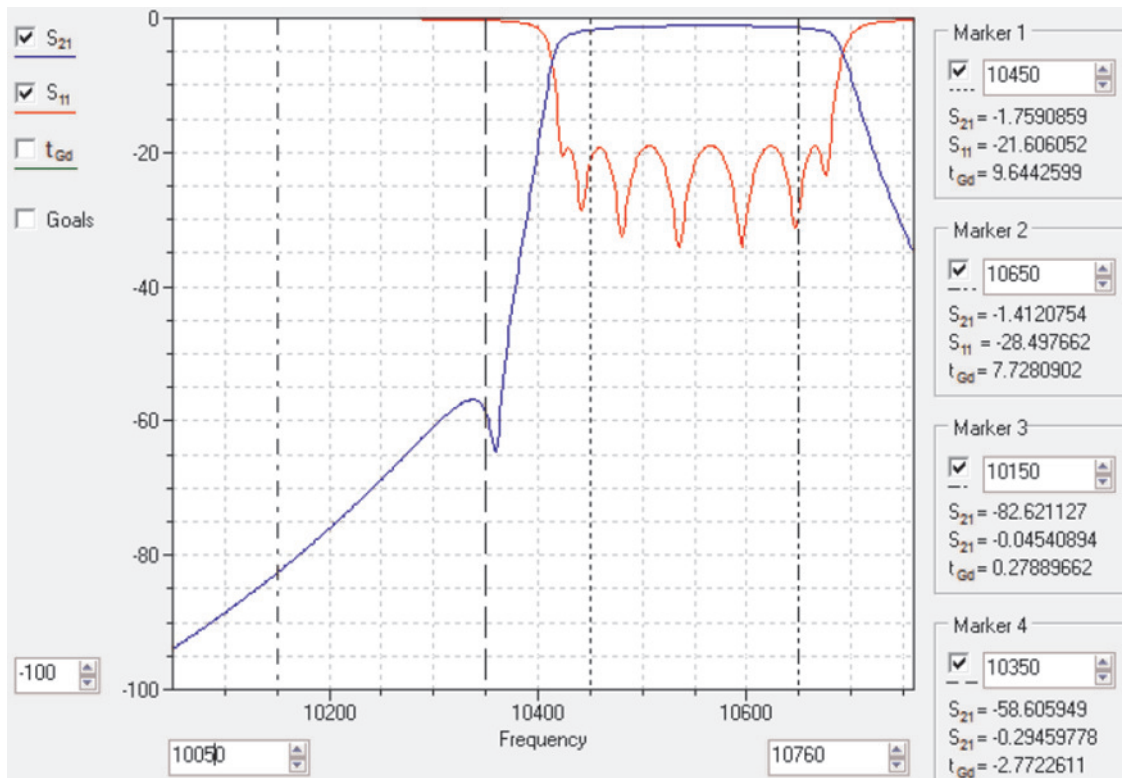
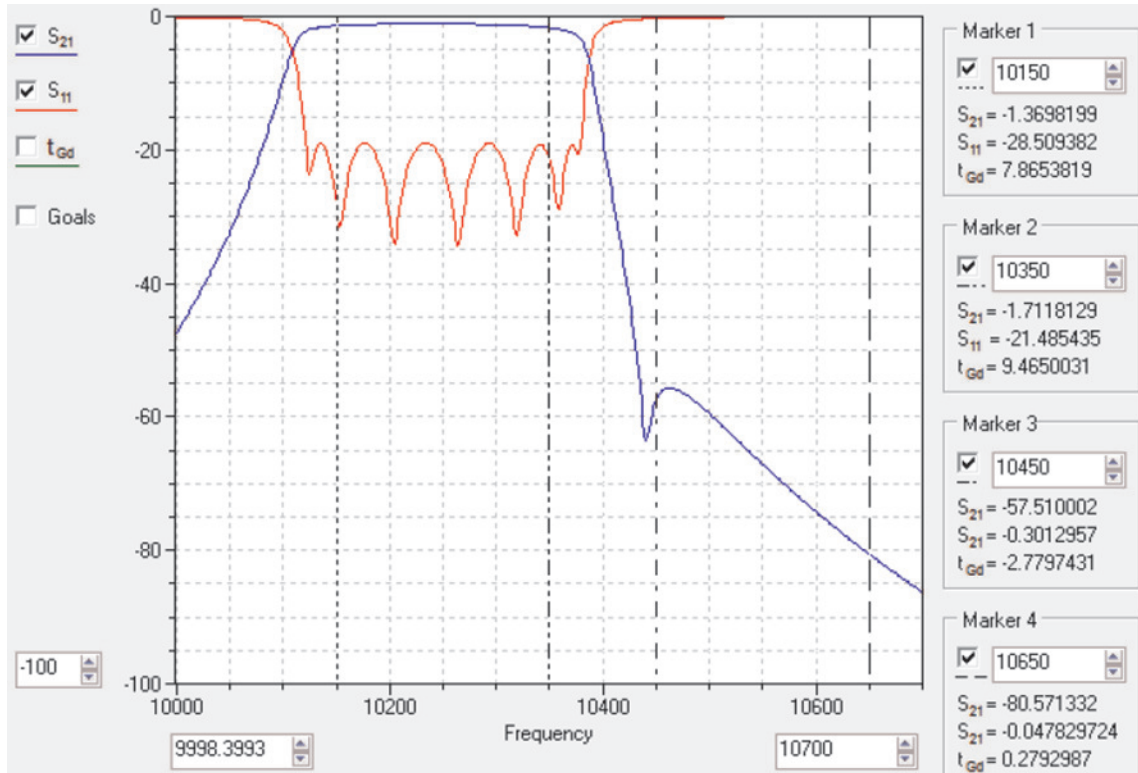
### Size

Width: 291.5 mm  
Height: 124.5 mm  
Depth: 365.5 mm

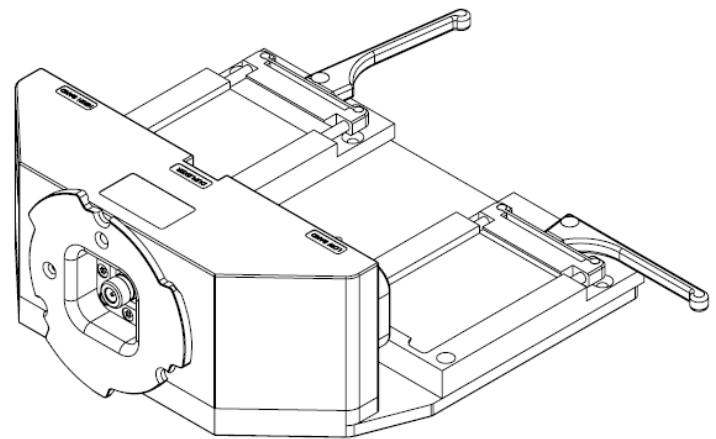
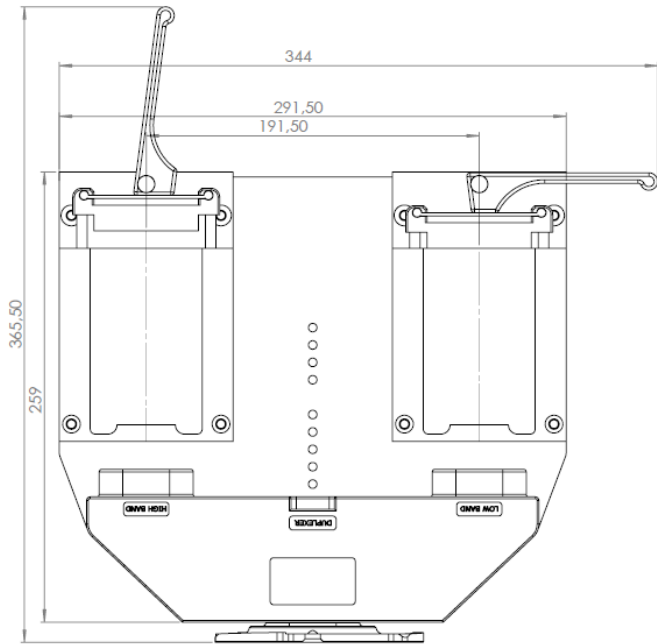
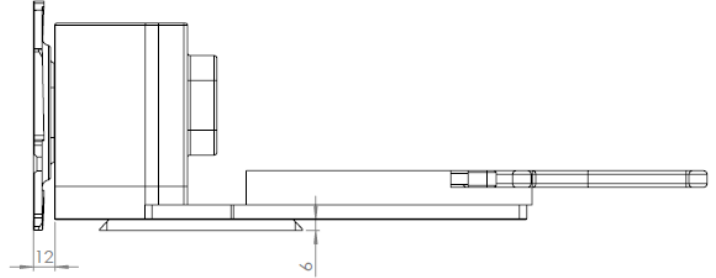
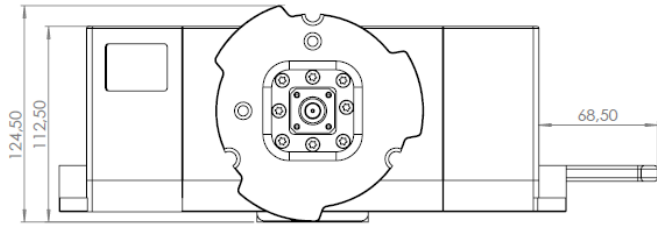
### Color

RAL 9002





Mechanical Dimensions



Design and specifications are subject to changes without prior notice. 01/19