
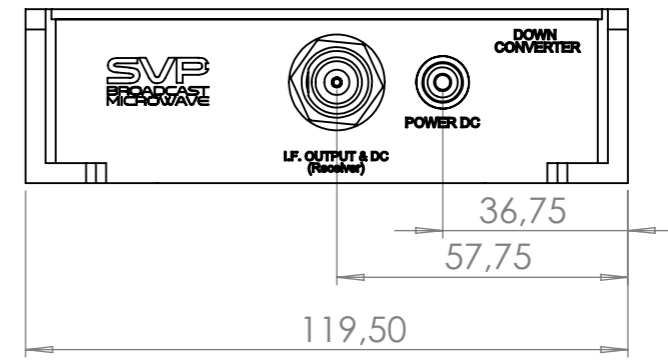
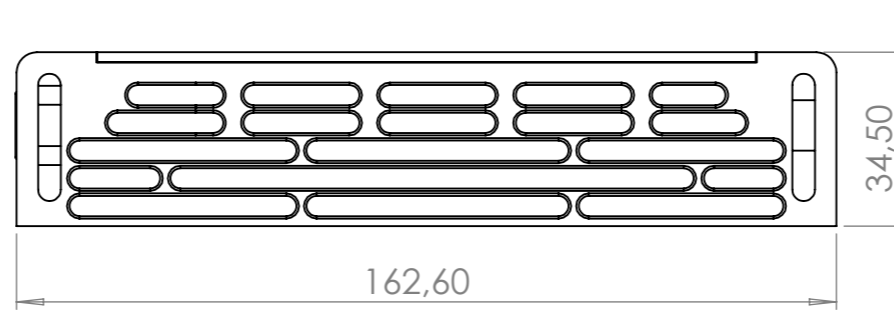
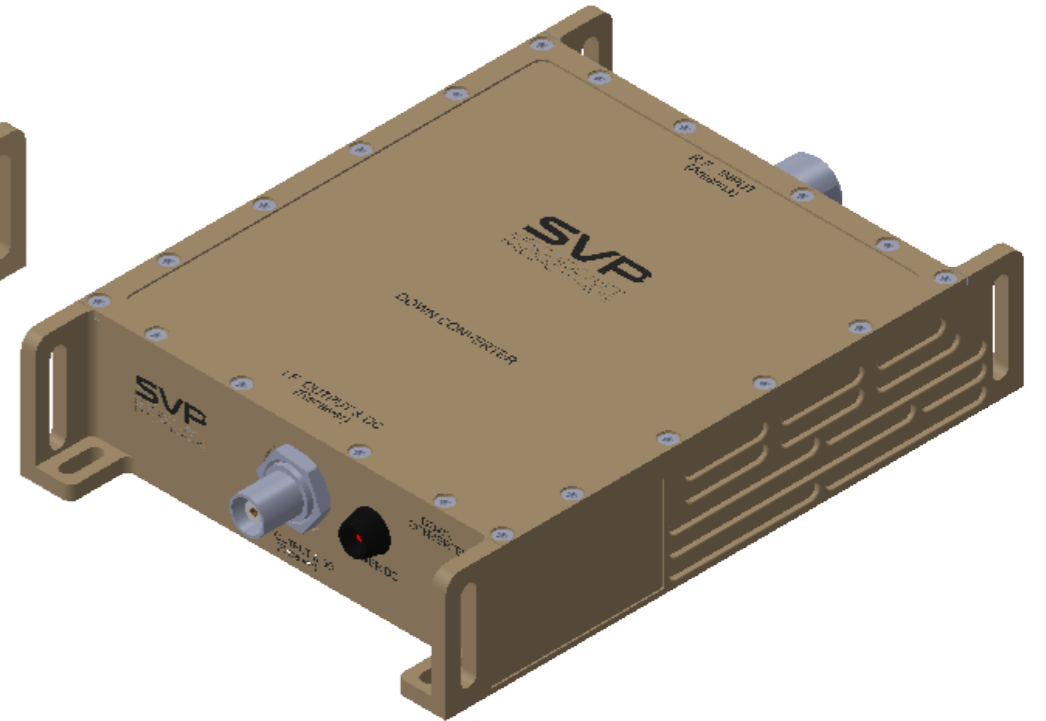
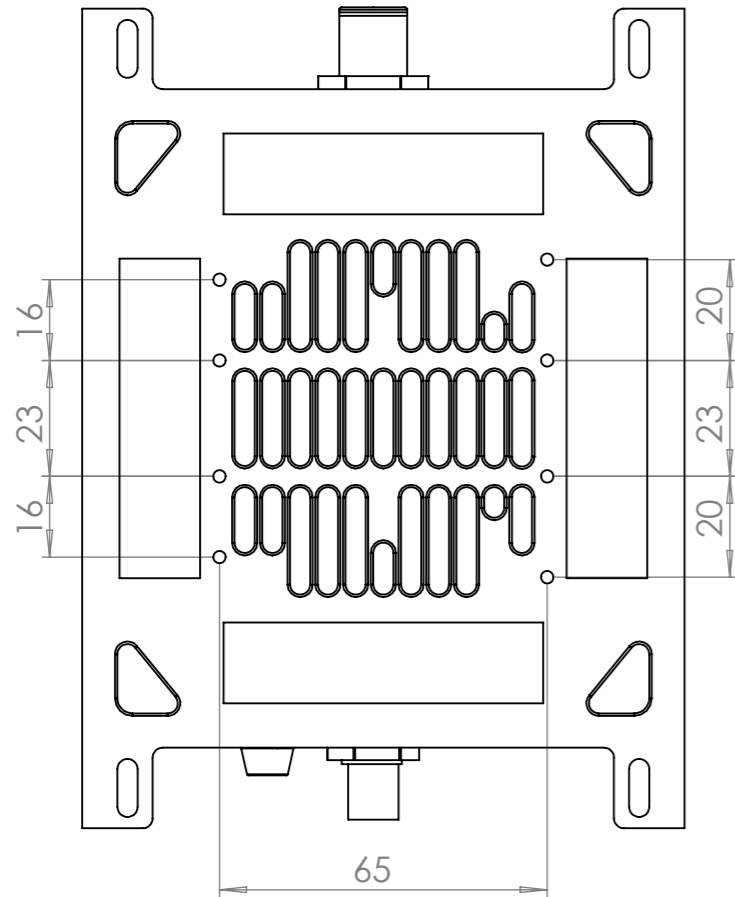
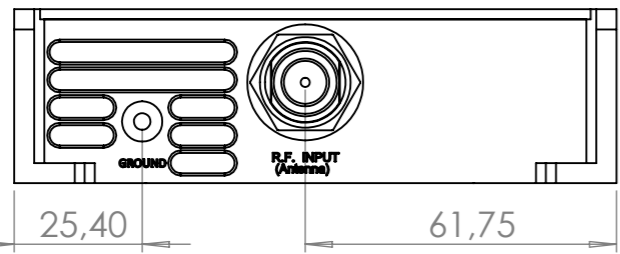
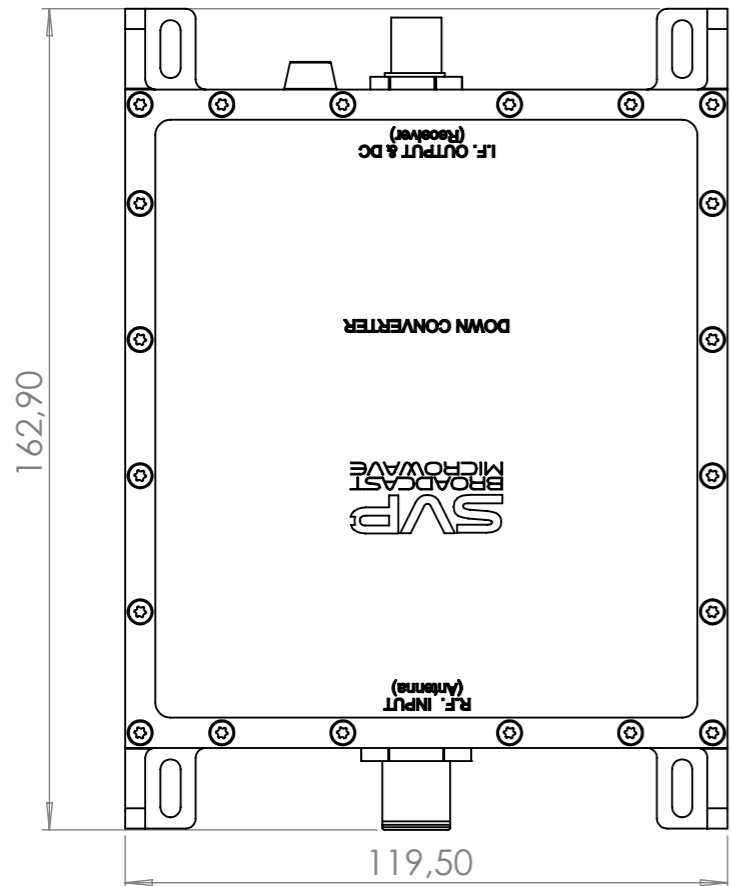


	NAME	DATE	
DRAW	EC	30/01/2019	
CHECKED	JAB		
MATERIAL			
FINISH			P/N: DC-N_v11
Unspecified tolerances according to ISO-2768-mk - Dimensions in millimeter - Angles in degree - Tolerances $\pm 0,5^\circ$			ESCALE:1:1,5 WEIGHT:
			A3



	NAME	DATE
DRAW	EC	30/01/2019
CHECKED	JAB	
MATERIAL		
FINISH		
Unspecified tolerances according to ISO-2768-mk		
- Dimensions in millimeter		
- Angles in degree		
- Tolerances ±0,5°		

SVP
BROADCAST
MICROWAVE

P/N:
DC-TNC_v11

ESCALE:1:1,5 WEIGHT:

A3