

AM-205 Multi-Sector Antenna

The AM-205 is a multisector antenna, which has been developed by SVP Broadcast Microwave. This is a very compact, robust and easy-to-install solution for applications where omnidirectional coverage with high gain is needed.

The AM-205 antenna is formed of 4 flat panel antennas plus one Up-Down antenna to offer an omnidirectional coverage.

This antenna integrates the bandpass filters and the down-converters. At the TNC connector outputs it offers the received signal filtered, amplified and converted to the UHF band.

This antenna has been designed to be used in the receiver site in airborne links in diversity 5 mode and as high-gain reception point in autonomous cameras of a mobile unit.



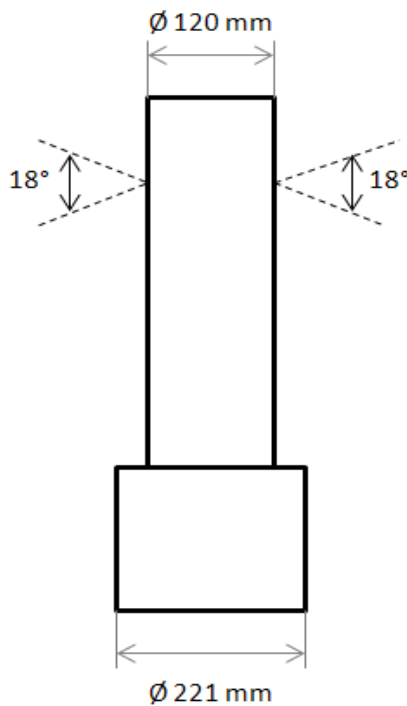
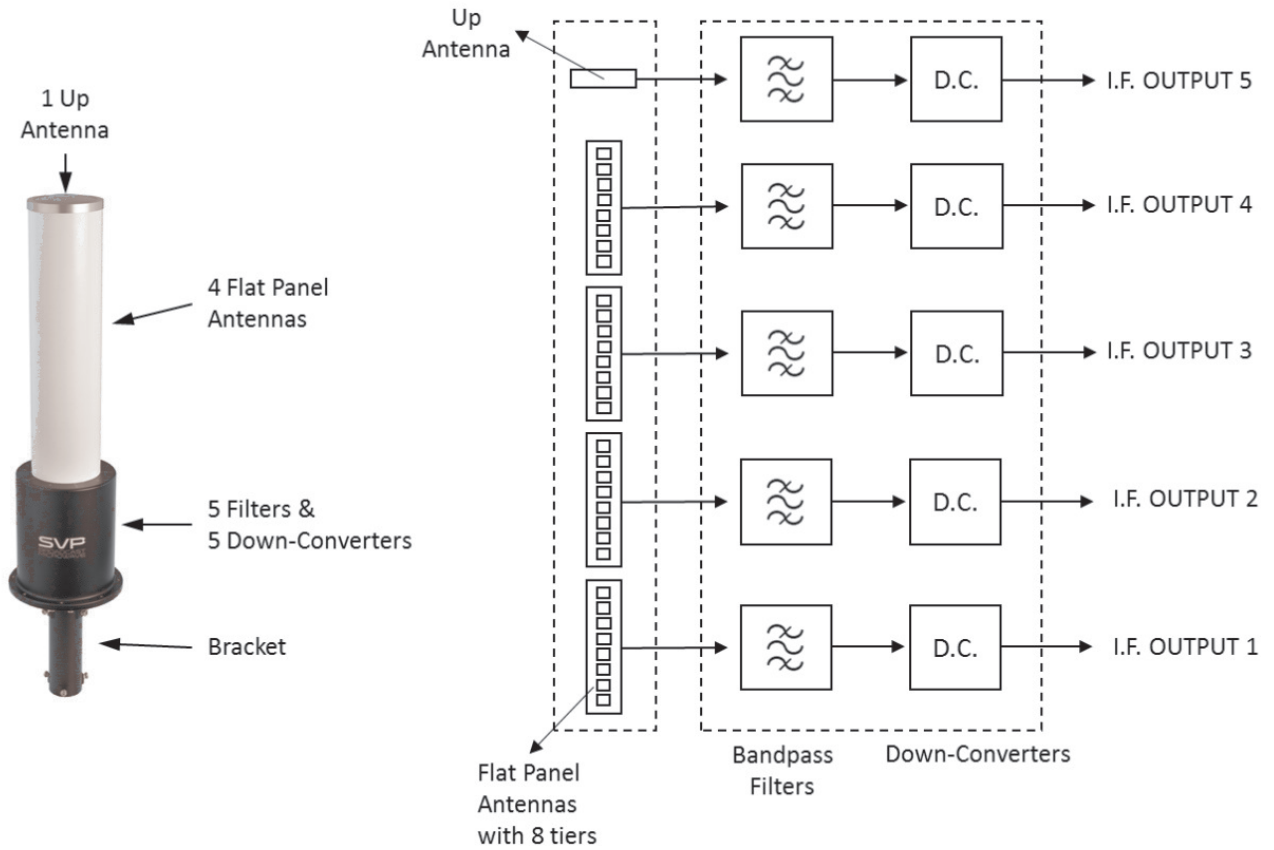
Characteristics

AM-205

Frequency band	2 GHz
Gain	Panel antenna: 12 dBi Up-down antenna: 5 dBi
Elevation beamwidth	18°
Azimuth beamwidth	110° (x4)
Polarization	4 Panel antennas: Vertical linear 1 Up antenna: RHCP
Diameter	221 - 120 mm
Length	671 mm
Weight	7.5 Kg
Down-Converters	Included 5 units
Conversion Gain	30 dB
Noise Figure	<1,5 dB
Local Oscillator	1,600 MHz (another under request)
Phase Noise	-98 dBc/Hz @ 10 kHz
Power Supply	12 to 36 V by coaxial cable
Filter	10-pole cavity
Connector	5 x TNC female
Mount	Stainless steel bracket and U bolts
P/N	AM-205



Schematic & Planes



Design and specifications are subject to changes without prior notice. 01/19