

AMS-x06 Multi-Sector Switch Antenna

The AMS-x06 is a multisector antenna, which has been developed by SVP Broadcast Microwave. This is a very compact, robust and easy-to-install solution for applications where hemispherical coverage with high gain is needed.

The AMS-x06 antenna is formed of 5 sector panel antennas to offer an omnidirectional coverage. It also has an up antenna which allows hemispherical coverage.

The AMS-x06 antenna integrates the PIN diode switch. It has an N-female connector and a control connector which is controlled by the receiver with the autotracking option. At the N connector output it offers the RF signal.

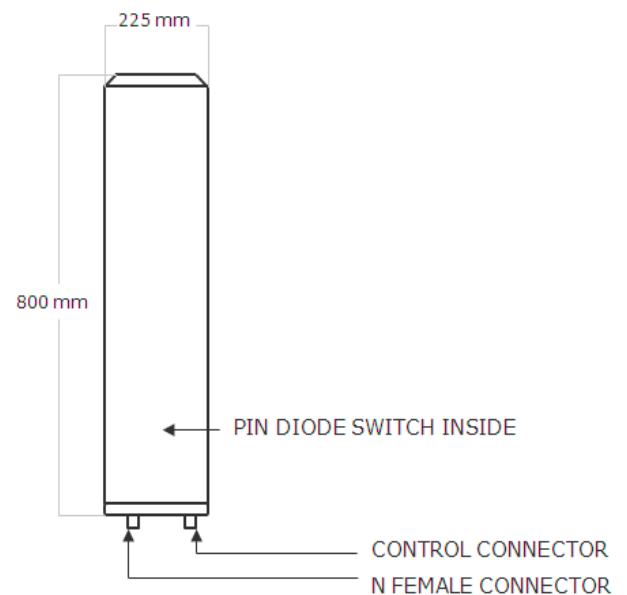
This antenna has been designed to be used as transmitter or receiver in a wide variety of applications.



Characteristics

AMS-206

Frequency	2.020 to 2.380 MHz
Gain	5 Sector panel antennas: 16.5 dBi 1 Up-down antenna: 5 dBi
Elevation beamwidth	9°
Azimuth beamwidth	75° (x5)
Polarization	5 Panel antennas: Vertical 1 Up antenna: RHCP
Diameter	225 mm
Length	800 mm
Weight	7.2 Kg
RF Connector	N female
Control Connector	Bayonet 8 pin male (ITT KPT: 02E12-8P)
P/N	AMS-206-2024



AMS-x06 Multi-Sector Switch Antenna

AMS-406

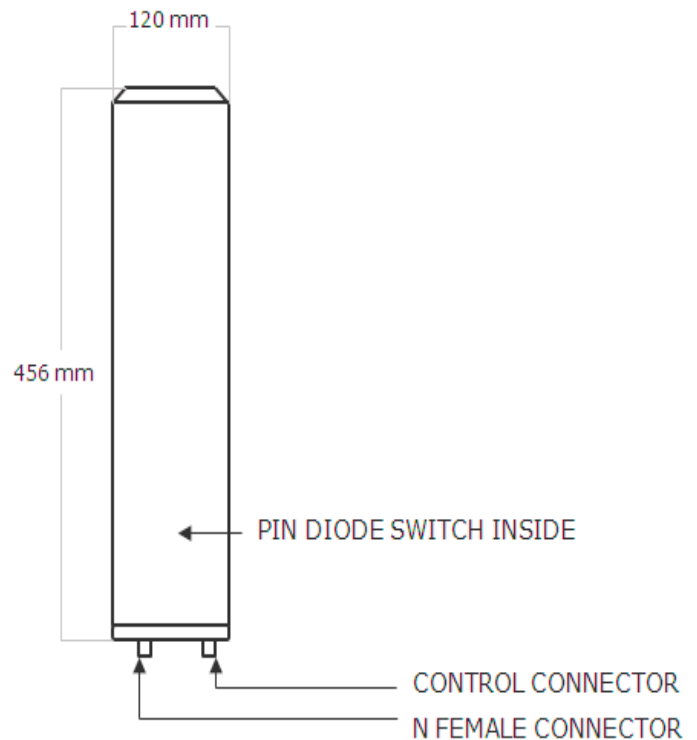
Frequency	4.5 to 5.1 GHz
Gain	Panel antenna: 16.5 dBi Up-down antenna: 5 dBi
Elevation beamwidth	9°
Azimuth beamwidth	75° (x5)
Polarization	5 Panel antennas: Vertical 1 Up antenna: RHCP
Diameter	120 mm (max)
Length	456 mm
Weight	5.8 Kg
Connector	N female
Control Connector	Bayonet 8 pin male (ITT KPT: 02E12-8P)
P/N	AMS-406-4551

AMS-506

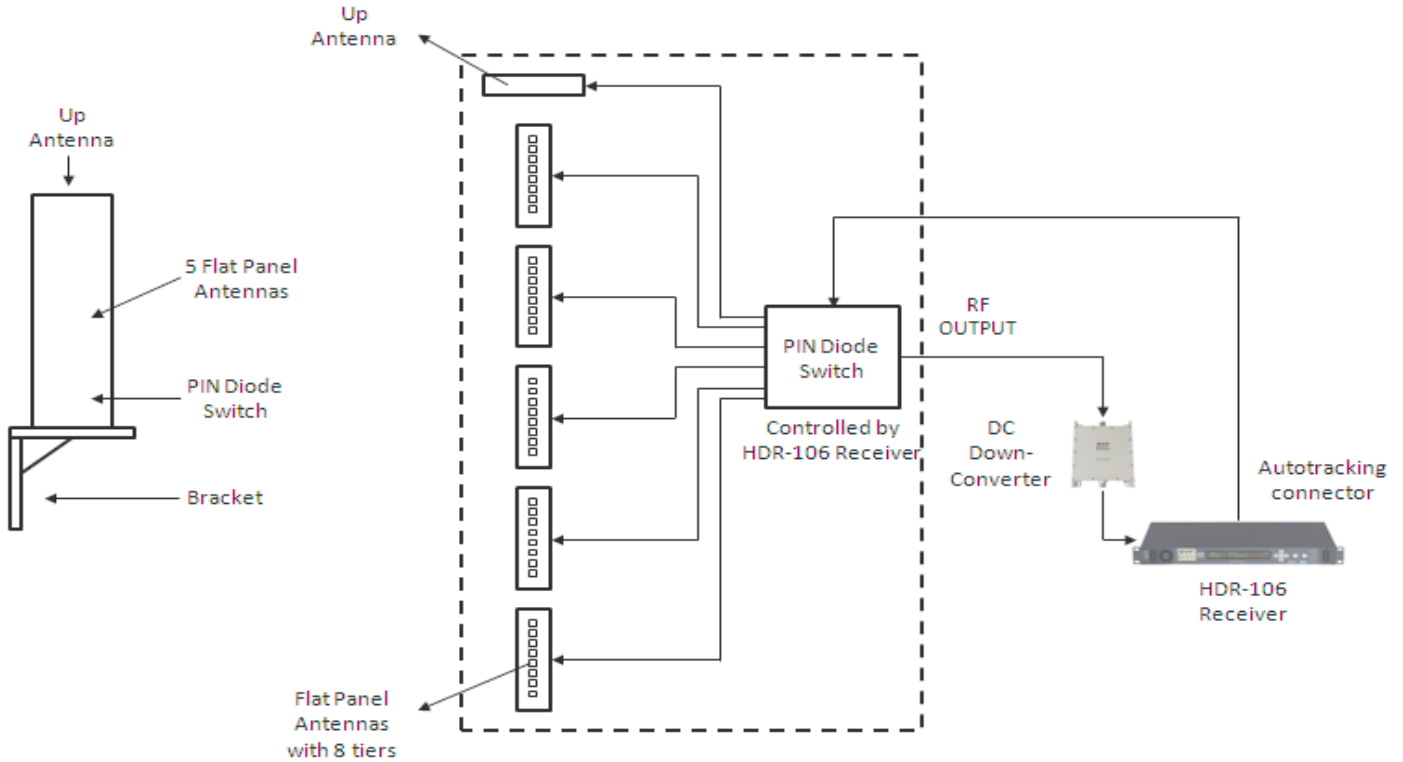
Frequency	5.0 to 5.4 GHz
Gain	Panel antenna: 16.5 dBi Up-down antenna: 5 dBi
Elevation beamwidth	9°
Azimuth beamwidth	75° (x5)
Polarization	5 Panel antennas: Vertical 1 Up antenna: RHCP
Diameter	120 mm (max)
Length	456 mm
Weight	5.6 Kg
RF Connector	N female
RF Connector	Bayonet 8 pin male (ITT KPT_ 02E12-8P)
P/N	AMS-506-5054

AMS-606

Frequency	6.28 to 6.90 GHz
Gain	Panel antenna: 16.5 dBi Up-down antenna: 5 dBi
Elevation beamwidth	9°
Azimuth beamwidth	75° (x5)
Polarization	5 Panel antennas: Vertical 1 Up antenna: RHCP
Diameter	120 mm (max)
Length	456 mm
Weight	5.6 Kg
RF Connector	N female
RF Connector	Bayonet 8 pin male (ITT KPT_ 02E12-8P)
P/N	AMS-606-6369



Schematic & Planes



Connections

AMS wiring

Cable Connector : Bayonet 8 pin female

Antenna Connector: Bayonet 8 pin male

PIN:

A	Sector1
B	Sector 2
C	Sector 3
D	Sector 4
E	Sector 5
F	Uplook
G	Ground
H	Ground

HDR wiring

Cable Connector: Bayonet 19 pin male

Receiver Connector: Bayonet 19 pin female

PIN:

D	Sector 1
E	Sector 2
F	Sector 3
G	Sector 4
H	Sector 5
J	Uplook
S+T	Ground