

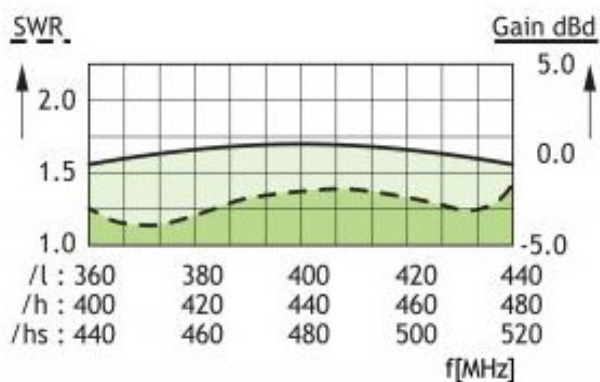
AV-U05L Omni Antenna UHF 2dBi

Specifications

ELECTRICAL	
MODEL	AV-U05L
FREQUENCY	420 – 470 MHz
IMPEDANCE	Nom. 50 Ω
RADIATION	Omnidirectional
POLARIZATION	Vertical
GAIN	2 dBi (0 dBd)
BANDWIDTH	50 MHz
SWR	≤ 1.5
MAX. POWER	200 W
MECHANICAL	
TEMP. RANGE	-35°C to +70°C
CONNECTOR	N-female
WIND SURFACE	0.0192 m ²
MATERIALS	Shroud: Polyurethane-coated glass fibre Mounting bracket: Seawater resistant aluminium, epoxy-coated Clamps: Stainless steel
TOTAL HEIGHT	Approx. 680mm
DIA. IN TOP END	12 mm
DIA. IN BOTTOM END	16 mm
WEIGHT	Approx. 650 g
MOUNTING	On 16 to 54 mm dia. mast tub

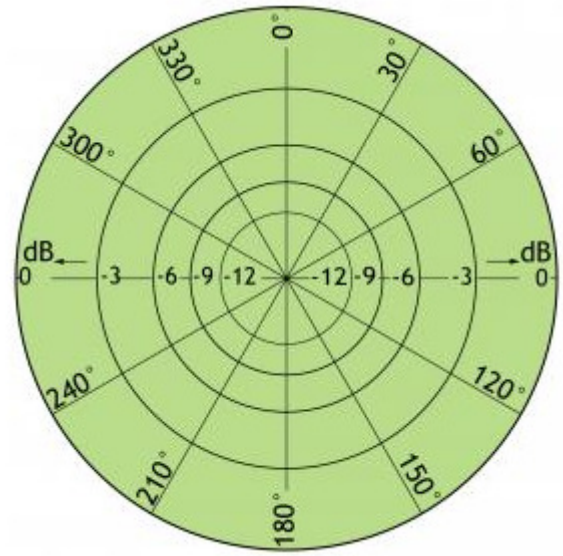
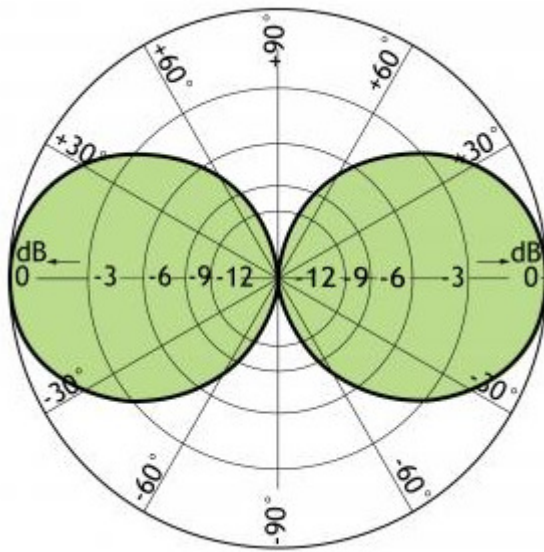


Typical Gain and SWR curves

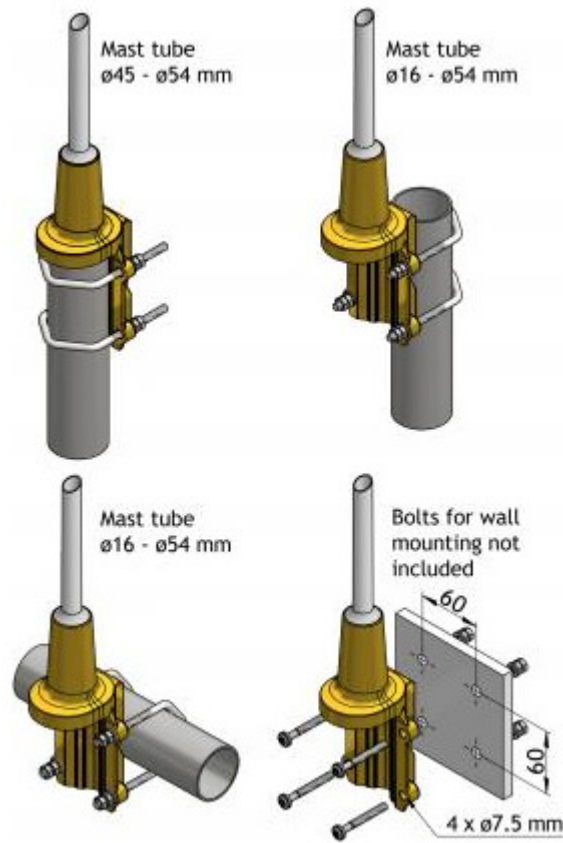


Typical Radiation Pattern (E-Plane)

Typical Radiation Pattern (H-Plane)



MOUNTING INDICATIONS:



NOTE:
This antenna is delivered with a DC-connection between

the antenna element and the mounting bracket.