

Linear Omnidirectional Antenna 11 dBi / 5 GHz

AV Antenna, which is linear polarization omnidirectional antenna, is suitable for mobile links.

The design of this antenna makes it very suitable for the transmission of signals, from transmitters in motion, in medium distance links. These antennas have 11 dBi gain on 5 GHz frequency band.

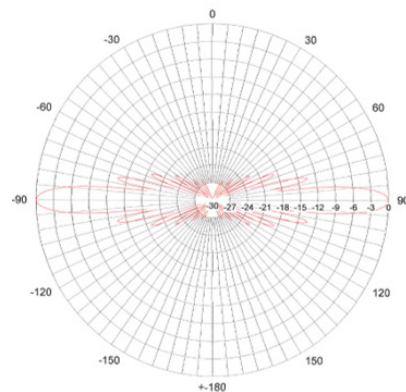
This antenna is commonly used in city coverage applications. With this antenna the signal is transmitted to the central receiver system without the need to steer it.

The omnidirectional radiation pattern makes possible to transmit the signal without the need to steer the antenna.

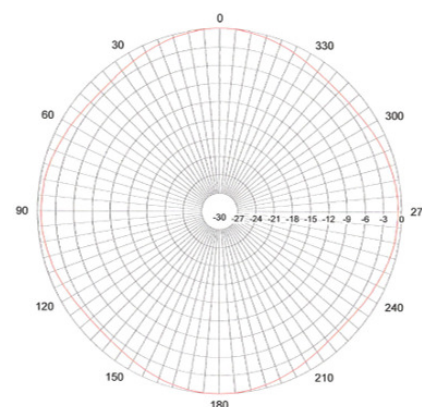


Characteristics

Frequency band	5100-5400 MHz
Gain	11 dBi
Polarization	Linear, Vertical
Return Loss	14 dB typical
VSWR	< 1,5
Elevation B/W	9 degrees
Azimuth B/W	360 degrees
Connector	N female
Temperature range	-30 to +70°C
Size	457.6 mm x 29.5 mm
Max. Power	20 W
Wind Surface	0,02 m
Wind Load	26 N @ 160Km/h

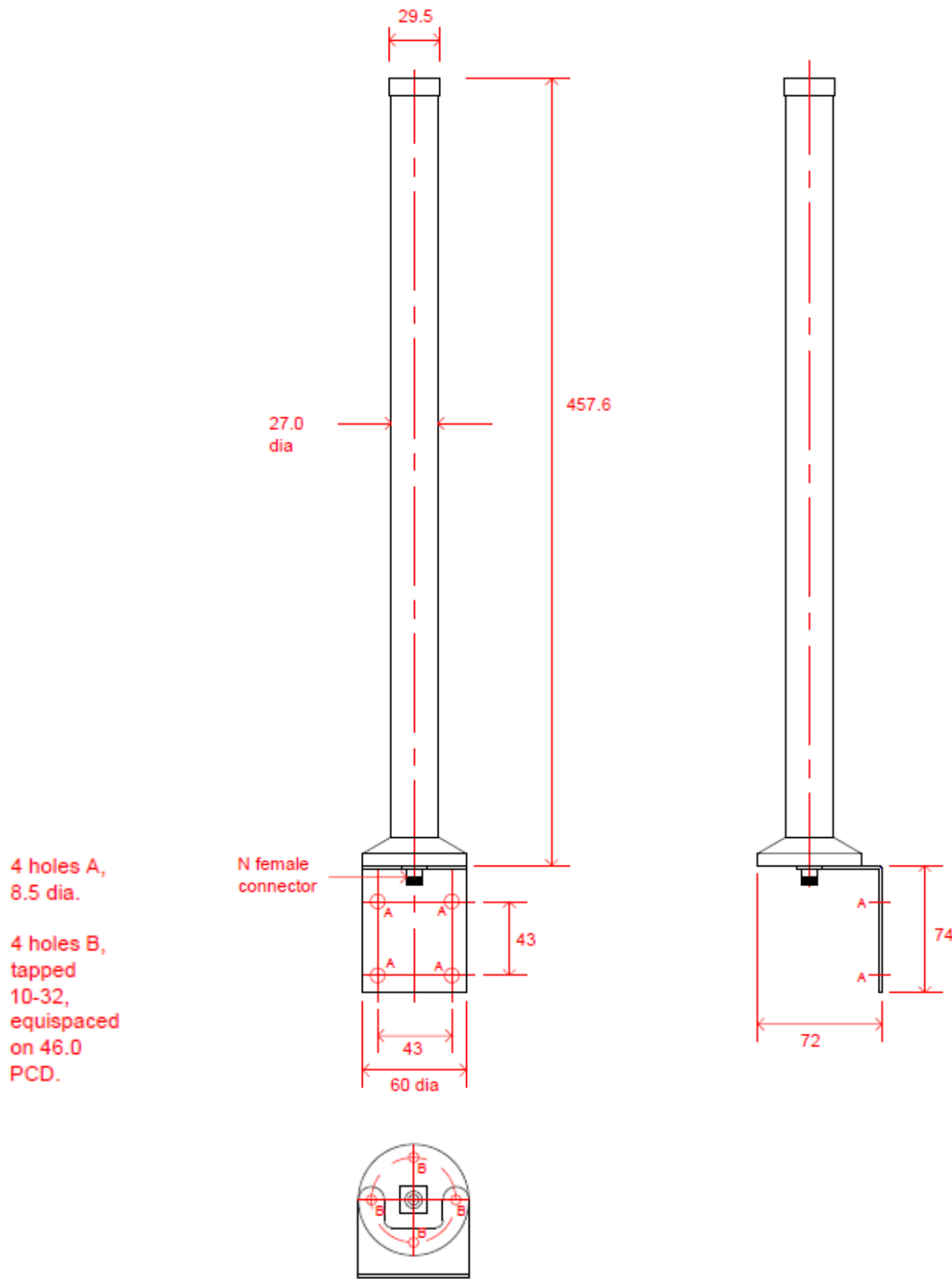


Vertical
Radiation pattern



Horizontal
Radiation pattern

Mechanical Dimensions



Design and specifications are subject to changes without prior notice. 10/17